

NAME OF WORK:-Construction of Community Toilet (CT) at Dumping ground IN WARD NO.- 31

UNDER ULUBERIA MUNICIPALITY CIVIL WORKS & NON SCHEDULE WORK

TOILET SEATS 2 NOS URINAL 3 NOS

SL.NO	Item Description & Item No.	Quantity	Rate	Unit	Amount
1	Earth work in excavation of foundation trenches or drains, in all sorts of soil (including mixed soil but excluding laterite or sandstone) including removing, spreading or stacking the spoils within a lead of 75 m. as directed. The item includes necessary trimming the sides of trenches, levelling, dressing and ramming the bottom, bailing out water as required complete. (a) Depth of excavation not exceeding 1,500 mm. PWD Building Works schedule Page - 1, Item -2.a	8.676	11927.00	%Cu.m	1034.79
	For Column Foundation				
	4 nos. x 1.20m x 1.20m x 1.125m = 6.480m ³				
	Below Tie				
	12.15m x 0.375m x 0.30m = 1.367m ³				
	4.35m x 0.375m x 0.30m = 0.489m ³				
	1.95m x 0.375m x 0.30m = 0.219m ³				
	1.075m x 0.375m x 0.30m = 0.121m ³				
Total Qnly = 8.676 m³					
2	Earth work in filling in foundation trenches or plinth with good earth, in layers not exceeding 150 mm. including watering and ramming etc. layer by layer complete. (Payment to be made on the basis of measurement of finished quantity of work). (a) With earth obtained from excavation of foundation. PWD Building Works schedule, Page - 1, Item -3.a	2.892	7754.00	%Cu.m	224.25
	1/3 x 8.676m ³ = 2.892m ³				
3	(A) Filling in foundation or plinth by silver sand in layers not exceeding 150 mm as directed and consolidating the same by thorough saturation with water, ramming complete including the cost of supply of sand. (payment to be made on measurement of finished quantity) PWD Building Works schedule, Page - 2, Item -4.a	4.551	71181.00	%Cum	3239.45
	4.35m x 2.325m x 0.450m = 4.551m ³				

4	Single Brick Flat Soling of picked jhama bricks including ramming and dressing bed to proper level and filling joints with local sand. PWD Building Works schedule, Page- 14, Item - 1 (Corri. Page-01, Date-04-06-2018)	22.34	357.00	Sqm	7975.38
	1.20m x 1.20m x 4nos = 5.76m ²				
	Tie Beam -				
	12.25m x 0.375m = 4.59m ²				
	4.35m x 0.375m = 1.63m ²				
	1.95m x 0.375m = 0.73m ²				
	1.075m x 0.375m = 0.40m ²				
	Floor Area -				
	1.60m x 1.075m = 1.72m ²				
	1.60m x 1.00m = 1.60m ²				
	2.50m x 2.575m = 6.43m ²				
	Deduct				
	(1.0m + 1.075m) x 0.25m = 0.52m ²				
	Total Qnly = 22.34 m³				
5	Ordinary Cement concrete (mix 1:1.5:3) with graded stone chips (20 mm nominal size) excluding shuttering and reinforcement, if any, in ground floor as per relevant IS codes. a) Pakur Variety /Chandil Variety PWD Building Works schedule, p-26 Item 10 a (Rate Analysis)	6.345	5803.94	Cum	36826.00
	Footing -				
	4nos x 1.20m x 1.20m x 0.20m = 1.152m ³				
	$\frac{1}{3} \times \{ (1.20 \times 1.20)m + (0.40 \times 0.40)m + \sqrt{(1.20 \times 1.20) (0.40 \times 0.40)} \} \times 0.20m \times 4nos = 0.555m^3$				
	0.40m x 0.40m x 0.30m x 4nos = 0.192m ³				
	Tie Beam -				
	2(4.60 + 2.575)m x 0.25m x 0.25m = 0.897m ³				
	4.35m x 0.25m x 0.25m = 0.272m ³				
	2.075m x 0.25m x 0.25m = 0.130m ³				
	1.20m x 0.25m x 0.25m = 0.075m ³				
	Column Above Tie -				
	4 nos x 0.25m x 0.25m x 3.35m = 0.838m ³				
	Roof Beam -				
	2 nos x 4.85m x 0.25m x 0.125m = 0.303m ³				
3 nos x 2.325m x 0.25m x 0.125m = 0.218m ³					
Roof Slab -					
4.85m x 2.825m x 0.125m = 1.713m ³					
Total Qnly = 6.345 m³					

6	Ordinary Cement concrete (mix 1:2:4) with graded stone chips (20 mm nominal size) excluding shuttering and reinforcement if any, in ground floor as per relevant IS codes. (i) Pakur Variety Rate analysis attached. a) In foundation & plinth [Vide Page No.24,Item Sl .NO4(a)]	2.473	5308.93	m3	13128.98				
	Foundation -								
	4 nos x 1.20m x 1.20m x 0.10m = 0.576m3								
	Below Tie								
	12.25m x 0.375m x 0.075m = 0.345m3								
	7.375m x 0.375m x 0.075m = 0.207m3								
	Floor Area -								
	4.85m x 2.825m x 0.10m = 1.370m3								
	Deduct for Column -								
	4nos x 0.25m x 0.25m x 0.10m = 0.025m3								
Total Qnly = 2.473 m3									
7	25mm. thick damp proof course with cement concrete with stone chips (1:1.5:3) [with graded stone aggregate 10 mm nominal size] and admixture of water proofing compound as per manufacturer's specification followed by two coat of polymer based paint, (1st coat after 4 to 5 days of concrete laying and 2 nd coat just before brick masonry work) as directed (cost of water proofing compound & polymer based paint to be paid separately). (Chequering not required over concrete or painted surface). [Note: - Waterproofing as per item 9, polymer based paint as per item 8 (a) of subhead C of Section (C). PWD Building Works schedule, Page -47, Item -1 (Rate Analysis)]	5.25	184.11	Sqm	966.58				
	13.35m x 0.25m = 3.34m2								
	4.35m x 0.25m = 1.09m2								
	2.075m x 0.25m = 0.52m2								
	1.20m x 0.25m = 0.30m2								
	Total Qnly = 5.25 m2								
8	125 mm brick work with 1st classbricks in cement mortar (1:4) in ground floor. PWD Building Works schedule, Page -16, Item-16,cori page -3, date -04.06.2018 (Rate Analysis)	11.60	714.47	Sq.M.	8287.85				
	Partition Wall -								
	(1.60m + 1.0m + 1.20m) x 2.875m = 10.925m2								
	Parapet Wall-								
	14.85m x 0.30m = 4.455m2								
	Deduct								
	Door - 0.80m x 2.10m = 1.68m2								
	- 1.00m x 2.10m = <u>2.10m2</u>								
Total = 11.60m2									

9	<p>Hire and labour charges for shuttering with centering and necessary staging upto 4 m using approved stout props and thick hard wood planks of approved thickness with required bracing for concrete slabs, beams and columns, lintels curved or straight including fitting, fixing and striking out after completion of works (upto roof of ground floor) (f) 25 mm to 30 mm shuttering without staging in foundation PWD Building Works schedule, Page -42, Item- 36.f</p>	20.728	209.00	Sqm	4332.15
	<p>Footing - 4nos x 2 x (1.20+1.20)m x 0.30m = 5.76m² 4nos x 4 x (1.20 + 0.40)m x 1/2 x 0.20 = 2.56m² 4nos x 2 x (0.40 + 0.40)m x 0.30m = 1.92m²</p> <p>Tie Beam - 13.35m x 0.25m x 2 sides = 6.675m² 4.35m x 0.25m x 2 sides = 2.175m² 2.075m x 0.25m x 2 sides = 1.038m² 1.20m x 0.25m x 2 sides = 0.600m²</p> <p>Total Qnly = 20.728 m²</p>				
10	<p>Hire and labour charges for shuttering with centering and necessary staging upto 4 m using approved stout props and thick hard wood planks of approved thickness with required bracing for concrete slabs, beams and columns, lintels curved or straight including fitting, fixing and striking out after completion of works (upto roof of ground floor) (a) 25 mm to 30 mm thick wooden shuttering as per decision & direction of Engineer-In-Charge. PWD Building Works schedule, Page -42, Item- 36.a</p>	29.60	334.00	Sqm	9886.40
	<p>Column - 4nos x 2 x (0.25 + 0.25)m x 3.35m = 13.40m²</p> <p>Roof Beam - 2 x 4.85m x 0.125m x 2sides = 2.43m² 3 x 2.325m x 0.125m x 2sides = 1.74m² 2 x (4.85 + 2.825) x 0.125m = 1.92m²</p> <p>Roof Slab - 4.35m x 2.325m = 10.11m²</p> <p>Total Qnly = 29.60 m²</p>				
11	<p>Supplying and laying polythine sheet (150 gm/sq.m) over dampproof course or below flooring or roof terracing or foundation or foundation trenches. PWD Building Works schedule, Page -47, Item-3</p>	37.182	24.00	Sq.M.	892.37
	<p>Tie Beam - 13.35m x 0.750m = 10.013m² 4.35m x 0.750m = 3.263m² 2.075m x 0.750m = 1.556m² 1.20m x 0.750m = 0.900m²</p> <p>Damp Proof - Qnty equal to Item no. 7 = 5.25m² Roof Beam & Slab - Qnty Equal To Item no 10(Except column) = 16.20m²</p> <p>Total Qnly = 37.182 m²</p>				

12	Artificial stone in floor ,dado,staircaseetc with cement mortar (1:2:4)with stone chips lsied in panels as directed with topping made with ordinary or white cement (as necessary) and marbel dust in proportion (1:2) in cluding smooth finishing and rounding off corners including raking out joints or roughening of concrete surface and application of cement slurry before flooring works using cement @ 1.75 kg/ sq.m all complete including all materials and labour. In ground floor 3 mm thick topping using gray cement (ii)25 mm PWD Building Works schedule, p-48 Item 6(ii)	9.276	253.95	Sq.m	2355.64
	Floor Area -				
	4.35m x 2.325m = 10.114m2				
	Deduct -				
	2.35m x 0.25m = 0.588m2				
	1.40m x 0.125m = 0.175m2				
0.60m x 0.125m = 0.075m2					
Total Qnly = 9.276 m2					
13	Reinforcement for reinforced concrete work in all sorts of structures including distribution bars, stirrups, binders etc initial straightening and removal of loose rust (if necessary), cutting to requisite length, hooking and bending to correct shape, placing in proper position and binding with 16 gauge black annealed wire at every intersection, complete as per drawing and direction. (a) For works in foundation and upto roof of ground floor/upto 4 m. (i) Tor steel/Mild Steel , JSPL/SWAYN/ELETRO/STEEL PWD Building Works schedule, Page - 43, Item - 40.a.i.1(Corri. 10th Page-01, Date-23-01-2020) (Rate Analysis) 6.345m3 x 1.0% x 7.85MT/kg = 0.498 MT	0.498	54400.74	M.T.	27091.57
14	Collapsible gate with 40 mm x 40 mm x 6 mm Tee as top and bottom guide rail , 20 mm x 10 mm x 2 mm vertical channels 100 mm apartin fullt stretched position 20m x 5 mm MS flats as collapsible bracings properly reveted and washered including 38 mm steel roller including locking arrangements , fitted and fixed in position with lugs set in cement concrete including cutting necessary hikes chasing etc in walls , floors etc and making good all damages . PWD Building Works schedule, Page -106, Item- .18 ,3rd CORRIGENDA & ADDENDA FOR SCHEDULE OF RATES OF PWD (W.B) wef 01.11.2017 P- 92 SL NO.- 15 2 x 1.00 x 2.10 = 4.20 m2	4.20	4330.00	Sqm	18186.00
15	Brick work with 1st class bricks in cement mortar (1:4) (a) Foundation and plinth ground floor PWD Building Works schedule, Page -15, Item-7.a (Rate Analysis)	1.111	5491.59	Cu.m	6101.16
	Below Tie				
	12.75m x 0.375m x 0.15m = 0.717m3				
	4.225m x 0.375m x 0.15m = 0.238m3				
	1.825m x 0.375m x 0.15m = 0.103m3				
0.950m x 0.375m x 0.15m = 0.053m3					

16	Brick work with 1st class bricks in cement mortar (1:4) (b) superstructure ground floor PWD Building Works schedule, Page -15, Item-7.b (Rate Analysis)	11.015	5714.59	Cu.m	62946.21
	$13.35\text{m} \times 0.25\text{m} \times 2.75\text{m} = 9.18\text{m}^3$				
	$2.325\text{m} \times 0.25\text{m} \times 2.75\text{m} = 1.60\text{m}^3$				
	$1.15\text{m} \times 0.25\text{m} \times 2.75\text{m} = 0.791\text{m}^3$				
	Steps				
	$2.25\text{m} \times 0.25\text{m} \times 0.15\text{m} = 0.084\text{m}^3$				
	$2.25\text{m} \times 0.25\text{m} \times 0.30\text{m} = 0.169\text{m}^3$				
	$2.25\text{m} \times 0.25\text{m} \times 0.45\text{m} = 0.253\text{m}^3$				
	$2.25\text{m} \times 0.25\text{m} \times 0.60\text{m} = 0.338\text{m}^3$				
	Deduct -				
	Door - $2 \times 2.10\text{m} \times 0.25\text{m} \times 1.00\text{m} = 1.050\text{m}^3$				
	Exhaust Space - $2 \times 0.40\text{m} \times 0.40\text{m} \times 0.25\text{m} = 0.080\text{m}^3$				
Ventilator - $2 \times 0.90\text{m} \times 0.60\text{m} \times 0.25\text{m} = 0.27\text{m}^3$					
Total Qty = 11.015m³					
17	Labour for Chipping of concrete surface before taking up Plastering work. PWD Building Works schedule, P-192, It-1	16.20	21.00	Sqm	340.20
	Roof Beam & Slab - Qty Equal To Item no 10(Except column) = 16.20m²				
18	Plaster (to wall, floor, ceiling etc.) with sand and cement mortar including rounding off or chamfering corners as directed and raking out joints including throating, nosing and drip course, scaffolding/staging where necessary (Ground floor).[Excluding cost of chipping over concrete surface] (i) With 1:6 cement mortar (c) 15 mm thick plaster PWD Building Works schedule, P-189 It- No. 1 (Rate Analysis)	69.897	141.52	Sqm	9891.82
	$2 \times (4.85 + 2.825)\text{m} \times 3.30\text{m} = 50.655\text{m}^2$				
	$2 \times (4.85 + 2.825)\text{m} \times 0.425\text{m} = 6.524\text{m}^2$				
	$2\text{sides} \times (1.15 \times 3.00)\text{m} = 6.900\text{m}^2$				
	G.L. TO P.L. -				
	$2 \times (4.85 + 2.825)\text{m} \times 0.600\text{m} = 9.210\text{m}^2$				
	Deduct -				
	$2.250\text{m} \times 0.60\text{m} = 1.350\text{m}^2$				
	Exhaust Space - $1/3 \times (0.40\text{m} \times 0.40\text{m}) \times 2\text{nos} = 0.107\text{m}^2$				
	Ventilator - $1/3 \times 0.90\text{m} \times 0.60\text{m} \times 2\text{nos} = 0.36\text{m}^2$				
	Doors - $1/3 \times 2.25\text{m} \times 2.10\text{m} = 1.575\text{m}^2$				
	TOTAL QNTY = 69.897m²				

19	<p>Plaster (to wall, floor, ceiling etc.) with sand and cement mortar including rounding off or chamfering corners as directed and raking out joints including throating, nosing and drip course, scaffolding/staging where necessary (Ground floor). [Excluding cost of chipping over concrete surface] (ii) With 1:4 cement mortar (c) 10 mm thick plaster PWD Building Works schedule, P-189 It- No. 1 (ii)(c) (Rate Analysis)</p>	28.06	126.53	Sqm	3550.43
	2 x (1.60m+1.20m) x 0.775m = 4.34m ²				
	2 x (1.60m+1.00m) x 0.775m = 4.03m ²				
	2 x (1.20m+1.00m) x 0.775m = 3.41m ²				
	7.525m x 0.775m = 5.83m ²				
	4.35m x 2.325m = 10.11m ²				
	2 Sides x (1.375m x 0.125m) = 0.34m ²				
	Total = 28.06m ²				
20	<p>Neat cement punning about 1.5 mm thick in wall, dado, window sills, floors etc. Note cement 0.152 m³/100 m² PWD Building Works schedule, P-192 It- No. 15</p>	9.240	32.75	Sq.m	302.61
	2 x (4.85m + 2.825m) x 0.60m = 9.210m ²				
	2sides x (1.150m x 0.60m) = 1.380m ²				
	Deduction				
	2.250m x 0.60m = 1.350m ²				
	Total = 9.240m ²				
21	<p>Supplying, fitting and fixing fibre reinforced polymer (FRP) Composite door frame as per approved section with glass fibre reinforced plastic moulded skins and a special sandwich core, so as to impart monolitaheic composite structure as per approved technology of Department of Science and Technology (DST) to satisfy IS: 4020 door testing performance criteria.. (i) 66mm x 90mm PWD Building Works schedule, P-115, It - 3 (i)</p>	10.20	497.00	Mtr	5069.40
	(2.10m + 2.10m + 1.00m) = 5.20m				
	(2.10m + 2.10m + 0.80m) = 5.00m				
	Total = 10.20m				
22	<p>Supplying, fitting & fixing fibre reinforced polymer (FRP) Composite door shutters as per approved design with glass fibre reinforced plastic moulded skins and a special sandwich core, so as to impart monolitaheic composite structure as per approved technology of Department of Science and Technology (DST) to satisfy IS:4020 door testing performance criteria. In ground floor. ii) 25 mm thick P-125, It- 14(ii)</p>	3.78	2581.00	Sqm	9756.18
	2.10 x 0.80 = 1.68 m ²				
	2.10 x 1.00 = 2.10 m ²				
	Total = 3.78m ²				
23	<p>Anodised aluminium barrel / tower / socket bolt (full covered) of approved manufactured from extruded section conforming to I.S. 204/74 fitted and fixed with cadmium plated screws . (vii) 225mm long x 10mm dia. bolt. PWD Building Works schedule, P-144, It No. 26 (vii)</p>	5.00	84.00	Each	420.00
24	<p>Iron butt hinges of approved quality fitted and fixed with steel screws, with ISI mark. (viii) 100mm X 75mm X 3.50mm. PWD Building Works schedule, P-140, It No. -5 (viii)</p>	15.00	66.00	Each	990.00

25	Anodised aluminium decorative handle (hexagonal / fluted) of approved quality fitted and fixed complete. (i) 150mm plate x 10mm dia rod x 12mm hexagonal/fluted. PWD Building Works schedule, Page -146 . Item no-31,(i)	10.00	87.00	Each	870.00
26	Iron hasp bolt of approved quality fitted and fixed complete (oxidised) with 16mm dia rod with concrete bolt and round fitting. .b)250mm long. PWD Building Works schedule, Page -141 . Item no-10 b)	2.00	159.00	Each	795.00
27	Supplying and laying chequered tiles of any shade and of approved quality with (1:1.5:3) cement concrete laied in pannels or patterns as directed in pavement ,footpath etc including necessary underlay 25 mm thick (avg)cement mortar (1:3) complete in all respect with all labour and materials. (Using cement slurry @4.4kg/sq.m at back side and @2.4 kg/sq.m for joint filling). PWD Building Works schedule, Page -74 , Item no- 46(i). 25 mm thick	4.35	464.00	sq.m	2018.40
	Steps				
	(0.25m x 2.25m) x 4Nos = 2.250m ²				
	(0.15m x 2.25m) x 4Nos = 1.350m ²				
	(0.25m x 0.60m) x 2Sides = 0.300m ²				
	(0.25m x 0.45m) x 2Sides = 0.225m ²				
	(0.25m x 0.30m) x 2Sides = 0.150m ²				
	(0.25m x 0.15m) x 2Sides = 0.075m ²				
	Total = 4.35m ²				
28	Rendering the Surface of walls and ceiling with White Cement base WATER PROOF wall putty of approved make & brand.(1.5 mm thick) In Ground Floor PWD Building Works schedule, PWD, P- 198, I - 5 Quantity of plaster = 69.897m ² + 28.060m ² Total = 97.957m ²	97.957	122.00	Sqm	11950.75
29	Applying interior grade Acrylic Primer of approved quality and brand on plastered and concrete surface old or new surface to receive Distemper Acrylic emulsion paint including scraping and preparing the surface thoroughly , complete as per manufacturer's specification and as per direction of the E-I-C (Ground Floor) (b) Two Coats PWD Building Works schedule, Page -195 , Item no- 7b(2). Plaster inside Quantity = 28.06m ²	28.06	48.50	m ²	1360.91

30	Dry Destempering interial walls or ceiling including cleaning, washing, smoothening surface (b) two coats PWD Building Works schedule, Page -196 , Item no- 9(b)	28.06	49.00	m2	1374.94
	Plaster inside Quantity = 28.06m2				
31	Applying exterior grade Acrylic Primer of approved quality and brand on plastered or concrete surface old or new surface to receive Decorative Textured (Marrr Finish) or Smooth Finish Acrylic exterior emulsion paint including scraping and preparing the surface thoroughly , complete as per manufacturer's specification and as per direction of the EIC in Ground Floor (b) two coats. PWD Building Works schedule, Page -196 , Item no- 8(b)	69.897	45.10	m2	3152.35
	Plaster Outside Quantity = 69.897m2				
32	Protective and Decorative Acrylic Exterior emulsion paint of approved quality, as per manufacturer's specification and as per dirction of EIC to be applied overf Acrylic primer as required. The rate includes cost of materials, labour, scaffolding and all incedental charges but excluding the cost of primer in ground floor (two coats)(a) normal acrylic emulsion. PWD Building Works schedule, Page -197 , Item no- 17(a)	69.897	67.00	m2	4683.10
	Plaster Outside Quantity = 69.897m2				
33	(a) M.S.or W.I. Ornamental grill of approved design joints continuously welded with M.S, W.I. Flats and bars of windows, railing etc. fitted and fixed with necessary screws and lugs in ground floor. (i) Grill weighing above 10 Kg./sq.mtr and up to 16 Kg./sq. mtr. PWD Building Works schedule, P-104 Item-13 A (i) (3rd Corrigendam Page No 91)	0.776	9888.00	Qntl	7673.09
	2.350m x 2.20m = 5.17m2 x 15kg/m2 = 77.55kg				
	In Quintal = 0.776				
34	a) Priming one coat on steel or other metal surface with synthetic oil bound primer of approved quality including smoothening surfaces by sand papering etc. PWD Building Works schedule, P/200 Item-1(a) 2.350m x 2.20m = 5.17m2	5.17	29.00	Sqm	149.93
35	(A) Painting with best quality synthetic enamel paint of approved make and brand including smoothening surface by sand papering etc. including using of approved putty etc. on the surface, if necessary : (b) On steel or other metal surface : (iv) Two coats (with any shade except white) PWD Building Works schedule, P-200 Item-2(b)(iv)	5.17	79.00	Sqm	408.43
	2.350m x 2.20m = 5.17m2				

36	<p>Supplying and laying true to line and level vitrified tiles of approved brand (size not less than 600 mm X 600 mm X 10 mm thick) in floor, skirting etc. set in 20 mm sand cement mortar (1:4) and 2 mm thick cement slurry back side of tiles using cement @ 2.91Kg./sqM or using polymerised adhesive (6 mm thick layer applied directly over finished artificial stone floor/Mosaic etc without any backing course) laid after application slurry using 1.75 Kg of cement per sqM below mortar only, joints grouted with admixture of white cement and colouring Pigment to match with colour of tiles / epoxy grout materials of approved make as directed and removal of wax coating of top surface of tiles with warm water and polishing the tiles using soft and dry cloth upto mirror finish complete including the cost of materials, labour and all other incidental charges complete true to the manufacturer's specification and direction of Engineer-in-Charge. (White cement, synthetic adhesive and grout material to be supplied by the contrr]e)</p> <p>I (I) With application slurry @1.75 kg/ Sq.m, 20 mm sand cement mortar (1:4) & 2 mm thick cement slurry at back side of tiles, 0.2 kg/ Sq.m white cement for joint filling with pigment.</p> <p>(A) Deep Colour & White</p> <p>PWD Building Works schedule, Page-66 Item-36 (A) (3rd Floor)</p>	9.276	1688.00	Sqm	15657.89
Qunatity same as item no. 12 = 9.276m2					
37	<p>Supplying, fitting & fixing 1st quality Ceramic tiles in walls and floors to match with the existing work & 4 nos. of key stones (10mm) fixed with araldite at the back of each tile & finishing the joints with white cement mixed with colouring oxide if required to match the colour of tiles including roughening of concrete surface, if necessary or by synthetic adhesive & grout materials etc.</p> <p>B) Wall</p> <p>Area of each tile above 0.09 Sq.m</p> <p>ii) Other than Coloured decorative including white</p> <p>PWD Building Works schedule, page-64, Item:35.(B.) (b).(ii) (3rd Corrigendam ,Page 36)</p>	44.953	1035.00	Sqm	46526.36
$2 \times (1.60 + 1.20\text{m}) \times 2.10\text{m} = 11.76\text{m}^2$					
$2 \times (1.60 + 1.00\text{m}) \times 2.10\text{m} = 10.92\text{m}^2$					
$2 \times (1.20 + 1.00\text{m}) \times 2.10\text{m} = 9.24\text{m}^2$					
$7.525 \times 2.10\text{m} = 15.80\text{m}^2$					
Deduction					
$3 \times (2.10\text{m} \times 1.00\text{m}) \times 1/3 = 2.10\text{m}^2$					
$1 \times (2.10\text{m} \times 0.80\text{m}) \times 1/3 = 0.56\text{m}^2$					
$2 \times (0.40\text{m} \times 0.40\text{m}) \times 1/3 = 0.107\text{m}^2$					
Total = 44.953m2					

38	<p>Supplying profiles of required section made of Aluminium Alloy Extrusions conforming to IS: 732-1983 and IS: 1285- 1975; Anodized (with required film thickness and specified colour / natural) matt finished conforming to IS: 1868-1983 for fabrication of composit door, sliding & casement windows, partitions, formed of basic sections of any ISI embossed / certified make and brand as per direction of Engineer - In- Charge. (Payment will be made on finished length of the work).</p> <p>(A) In 10-12 Micron thickness Anodizing film l) Natural white h) Louvered window. i) Top, bottom and side member. PWD Building Works schedule, PWD, P-233, I- 1(h) i</p> <p>2 x (0.90m + 0.60m) x 2 = 6.00m</p>	6.00	183.00	M	1098.00
39	ii) Louvered Section. = 2 x (0.60 x 6 Nos) = 7.20m	7.20	658.00	M	4737.60
40	iii) Cleat angle (Non-anodized). = 2 x (0.27m x 12) = 6.48m	6.48	263.00	M	1704.24
41	<p>Supplying bubble free float glass of approved make and brand conforming to IS: 2835-1987.</p> <p>iv) 5mm thick coloured / tinted / smoke glass. PWD Building Works schedule, P-243, I -9</p> <p>2 x (0.90m x 0.60m) = 1.08m²</p>	1.08	585.00	Sq.M.	631.80
42	<p>Painting block letters or digits in Black Japan or any approved paint as per direction.</p> <p>e) Size above 7.5 cm. and upto 10 cm. PWD Building Works schedule, P-268, It-17(e)</p>	450.00	12.00	Each	5400.00
43	<p>Supplying and planting of different plants / trees (supplying well grown plants bushy and healthy, minimum height as specified i.e. exposed height including all leads and lifts, carriage, handling, manuring applying pesticide and fertilizer etc.</p> <p>i) Furcaria Veriegated 10 to 12 leaves in height 20-30 cm in earthen pot of size 25 cm</p>	10.00	162.00	Each	1620.00
44	<p>x) Ficus blakii (F. Vivicon) well branched (Bushy) of height 120cm - 135 cm in earthen pot of size 30cm. PWD Building Works schedule, Page -261, It- 9 (x)</p>	3.00	187.00	Each	561.00
45	<p>xxvi) Areca Palm 4 - 5 suckers of height 90 cm to 105 cm in earthen pots of size 25 cm. PWD Building Works schedule, Page -261, It- 9 (xxvi)</p>	3.00	127.00	Each	381.00
SANITARY AND PLUMBING WORKS					
46	<p>Supplying, fitting and fixing Anglo-Indian W.C. in white glazed vitreous china ware of approved make complete in position with necessary bolts, nuts etc.</p> <p>a) With 'P' trap (with vent) PWD S&P Schedule, page-79, item no -3 (a)</p>	2.00	3104.00	Each	6208.00
47	<p>Supplying, fitting and fixing Closet seat of approved make with lid and C.P. hinges, rubber buffer and brass screws complete .(b) Anglo Indian</p> <p>(i) Plastic (hallow type) White PWD S&P Schedule, page-81,item no 10.b.i</p>	2.00	380.00	Each	760.00

48	Supplying, fitting and fixing Flat back urinal (half stall urinal) in white vitreous chinaware of approved make in position with brass screws on 75 mm X 75 mm X 75 mm wooden blocks complete (ii) 470 mm X 280 mm X 340 mm PWD S&P Schedule, page.80,item no-6/(ii)	2.00	945.00	Each	1890.00
49	Supplying fitting and fixing squatting plate with integrated flushing in white vitreous set in cement concrete (6:3:1) with jhama chips complete. (Payment of concrete will be paid seperately) (I) 450 mm x 350 mm	1.00	881.00	each	881.00
50	Supplying, fitting and fixing 10 litre P.V.C. low-down cistern conforming to I.S. specification with P.V.C. fittings complete,C.I. brackets including two coats of painting to bracket etc. PWD S&P Schedule, Page No.-36 Item No.-2,	2.00	1015.00	Nos	2030.00
51	Supplying,fitting and fixing 32 mm dia. Flush Pipe of approved make with necessary fixing materials and clamps complete. i) Polythene Flush Pipe PWD S&P Schedule, Page no 81. Item no. 11(i)	2.00	155.00	Each	310.00
52	Supplying, fitting and fixing urinal flush pipe fittings of approved brand. (a) C.P. urinal flush pipe fittings range of one PWD S&P Schedule, S.P.81,item-12/a	2.00	414.00	Each	828.00
53	Supplying, fitting and fixing white vitreous china best quality approved make wash basin with C.I. brackets on 75 mm X 75 mm wooden blocks, C.P. waste fittings of 32 mm dia., mending good all damages and painting the brackets with two coats of approved paint. (ii) 550 mm X 400 mm size PWD S&P Schedule, P-41, It 2 (ii)	2.00	2208.00	Each	4416.00
54	Supplying fitting and fixing pedestal of approved make for wash basin (White) PWD S&P Schedule, P-41, It 3	2.00	1497.00	Each	2994.00
55	Supplying,fitting and fixing approved brand P.V.C. CONNECTOR white flexible, with both ends coupling with heavy brass C.P. nut, 15 mm dia., (iii) 600 mm long PWD S&P Schedule, Page No.-43 Item No.-9-iii	5.00	107.00	Each	535.00
56	Supplying,fitting and fixing approved brand 32 mm dia.P.V.C. waste pipe, with PVC coupling at one end fitted with necessary clamps. (iv) 1050 mm long each PWD S&P Schedule, Page No.-43 Item No. 10-iv	2.00	91.00	Each	182.00

57	(f) Hand Shower(Health Faucet) with 1mtr Flexible Tube with Wall Hook(Equivalent to Code No.573 & Model -ALLIED of Jaquar or similar). PWD S&P Schedule, Page No.-3 Item No.- 3 f,	2.00	1251.00	Each	2502.00
58	(a) (i) Chromium plated Bib Cock short body (Equivalent to Code No. 511 & Model - Tropical / Sumthing Special of ESSCO or similar brand). PWD S&P Schedule, Page No.-6 Item No.-7-a-i	5.00	539.00	Each	2695.00
59	(b) (i) Chromium plated Stop Cock (Equivalent to Code No. 513(A) & 513(B) & Model - Tropical / Sumthing Special of ESSCO or similar PWD S&P Schedule, Page No.-6 Item No.-7-b-i	3.00	493.00	Each	1479.00
60	Chromium plated angular Stop Cock with wall flange (Equivalent to Code No. 5053 & Model - Florentine of Jaquar or similar brand). PWD S&P Schedule, Page No.-6 Item No.-7-d-i,	3.00	815.00	Each	2445.00
61	Supplying, fitting and fixing pillar cock of approved make. a) (i) CP Pillar Cock - 15 mm. (Equivalent to Code No. 507 & Model - Tropical / Sumthing Special of ESSCO or similar brand). (P. No. - 45, Item. No. - 19(a)i, Pwd Sanitary Plumbing Schedule 2017)	2.00	555.00	Each	1110.00
62	Supplying, fitting and fixing PVC pipes of approved make of Schedule 80 (medium duty) conforming to ASTM D - 1785 and threaded to match with GI Pipes as per IS : 1239 (Part - I), with all necessary accessories, specials viz. socket, bend, tee, union, cross, elbo, nipple, long screw, reducing socket, reducing tee, short piece etc. fitted with holder bats clamps, including cutting pipes, making threads, fitting, fixing etc. complete in all respect including cost of all necessary fittings as required, jointing materials and two coats of painting with approved paint in any position above ground. (Payment will be made on the centre line measurements of total pipe line including all specials. No separate payment will be made for accessories, specials. Payment for painting will be made separately) (a) For Exposed Work PVC Pipes, 25 mm Page No.-12 Item No.-19-i(a), PWD, VOL-II, 2017-18	15.00	177.00	Mtr	2655.00
63	(a) (a) For Exposed Work PVC Pipes, 15 mm Page No.-12 Item No.-19-i(a), PWD, VOL-II, 2017-18	10.00	101.00	Mtr	1010.00
64	(b) For Concealed Work PVC Pipes, 15 mm Page No.-12 Item No.-19-i(b), PWD, VOL-II, 2017-18	10.00	137.00	Mtr	1370.00
65	Supplying and fitting fixing of gunmetal wheel valve of approved brand and make tested to 21 Kg per sq. cm. 25 mm dia(E5) PWD S&P Schedule P-5 It-5.vii)	2.00	778.00	Each	1556.00
66	Supplying P.V.C. water storage tank of approved quality with closed top with lid (Black) - Multilayer (b) 1000 litre capacity PWD S&P Schedule, page.37, item no-6 (b)	2.00	5128.00	Each	10256.00
67	Labour for hoisting plastic water storage tank. (i) Upto 1500 litre capacity. (a) Upto 1st story from G.L. PWD S&P Schedule, page.37, item no-10 (i)(a)	2.00	96.00	Each	192.00
68	Labour for punching hole in plastic water storage tank upto 50 mm dia. PWD S&P Schedule, (P. No. - 38, Item. No. - 13	4.00	19.00	Each	76.00
69	Supply of UPVC pipes (B Type) & fittings conforming to IS-13592-1992.(A) (i) Single Socketed 3 Meter Length, (b) 110 mm PWD S&P Schedule, Page No.-68 Item No. 23,(A)(i)(b)	30.00	292.00	Mtr	8760.00

70	(B) Fittings (i) Coupler, (b) 110 mm	8.00	85.00	Each	680.00
71	(ii) Plain Tee, (b) 110 mm	12.00	85.00	Each	1020.00
72	(iii) Door Tee, (b) 110 mm	10.00	195.00	Each	1950.00
73	ix) Bend 45°, (b) 110 mm	10.00	89.00	Each	890.00
74	xi) Door Bend (T.S.), (b) 110 mm	7.00	147.00	Each	1029.00
75	xvi) Pipe Clip, (b) 110 mm	30.00	21.00	Each	630.00
76	xvii) W.C. Connector (150 mm long) 125 X 110(W/WC Ring) 75 mm	4.00	142.00	Each	568.00
77	xxxi) Plain Floor Trap with Top tile & Strainer 75 mm	7.00	144.00	Each	1008.00
78	L) Rubber Ring, (b) 110 mm	15.00	17.00	Each	255.00
79	C)Rubber Lubricant 500 ML	1.00	187.00	500 ML	187.00
80	D)Solvent Cement 250 ML	1.00	103.00	250 ML	103.00
81	Labour for fitting and fixing U.P.V.C. pipes for above ground work including cost of jointing materials etc. fitting and fixing all necessary specials, cutting pipes, cutting holes in total pipeline including specials. (B) Under ground, (ii) 110 mm dia. PWD S&P Schedule, (P. - 74, Item. No. - 24 (B)	20.00	84.00	Mtr	1680.00
82	Supplying, fitting & fixing UPVC pipes A- Type and fittings conforming to IS:13592-1992 with all necessary clamps nails, including making holes in walls, floor etc. cutting trenches in any soil through masonry concrete structures etc if necessary and mending good damages including joining with jointing materials (Spun Yarn, Valamoid/Bitumen/M-Seal etc) complete. A) UPVC Pipes: (i) 75 mm. Dia. (P. - 212, Item. No. - 21 (A)(i) , (B),(c),(i) & (B), (d),(i), Pwv volume- i, 2017)	20.00	188.00	Mtr	3760.00
83	B) UPVC Fittings: c) Bend 87.5 degree (i) 75 mm. Dia.	6.00	84.00	Mtr	504.00
84	B) UPVC Fittings: d) Shoe (i) 75 mm. Dia.	2.00	78.00	Mtr	156.00
85	Constructing Inspection pit of inside measurement 600mm X 600mm X upto 600mm (depth) with 250 mm thick 1st. class brick work in cement mortar (1:4) on all sides, bottom of the pit consisting of 100 mm thick cement concrete (1:3:6)..... complete in all respect with all costs of labour and materials. i) With Pakur variety (Other than SAIL/TATA/RINL). PWD S&P Schedule, S.P.87,Item No-1/(i), 7th Corrigenda Volume ii	2.00	7027.00	Each	14054.00

86	Construction of septic tank of different capacities as per approved drawing with 1st class brick work in cement mortar (1:4) including two 560 mm dia. Payment will be made separately on the basis of actual height based on relevant I.S.Code. (iv) For 50 users A) With Pakur variety. (SAIL/TATA/RINL) PWD S&P Schedule, S.P.88, Item No-3(iv)(A)	1.00	87438.00	Each	87438.00
87	Construction of circular soak well 2.5 metre deep in all types of sandy soils with dry brick work upto 1.6 metre from the bottom having 150 mm intermediate cement brick work (1:4) With 250 mm thick dry brick work and 250 mm thick cement brick work (1:6) and 1.00m inside dia. (Other than SAIL/TATA/RINL) S.P.89, Item No-4 7th Corrigenda Volume ii	1.00	16375.00	Each	16375.00
88	Supplying, fitting and fixing towel rail with two brackets. (a) C.P. over brass (ii) 25 mm dia. and 600 mm long PWD S&P Schedule, p No 82 No- 22 (a)(ii)	2.00	430.00	Each	860.00
89	Supplying, fitting and fixing bevelled edged mirror 5.5 mm thick silver red as per I.S. 3438 / 1965 together with brass C.P. hinges. (ii) 600 mm X 450 mm PWD S&P Schedule, P-81, It-15(ii)	2.00	484.00	Each	968.00
90	Supplying, fitting and fixing soap holder. (b) Fibre glass Sanitary and plumbing work schedule P-82, It-18(b)	2.00	58.00	Each	116.00
91	Supplying, fitting and fixing glass shelf with aluminium guard rails. (a) Ordinary type with 5.5 mm sheet glass (i) 450 mm X 125 mm Sanitary and plumbing work schedule P-81, It-16(a)(i)	2.00	341.00	Each	682.00
TOTAL AMOUNT Rs.					538603.21
Add For G.S.T. (C.G.S.T + S.G.S.T) @ 18%				Rs.	96948.58
TOTAL AMOUNT Rs.					635551.78
Add for Labour welfare Cess @ 1%				Rs.	6355.52
TOTAL AMOUNT Rs.					641907.30
Add for Contingency @ 3%				Rs.	19066.55
TOTAL AMOUNT Rs.					660973.85
Say				Rs.	660974.00


Sub-Assistant Engineer
Uluberia Municipality


Assistant Engineer
Uluberia Municipality


Chairman
Uluberia Municipality


25/06


Assistant Engineer
Hooghly Division, M.E. Dte.
Deptt. of U.D. & M.A.
Govt. of West Bengal

VETTED

Executive Engineer
Hooghly Division
M.E. Directorate, Deptt. of U.D. & M.A.
Govt. of West Bengal

MODEL DRAWING FOR CONSTRUCTION OF C. T./P.T.
TOILET SEATS 2 NOS URINAL 3 NOS
MODEL NO.- F



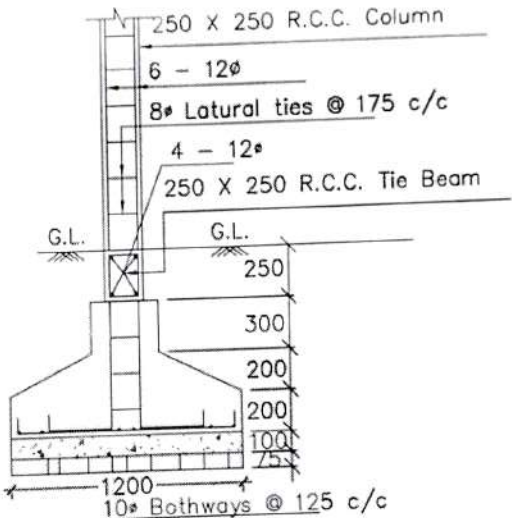
FRONT ELEVATION



Details Of R.C.C Roof Slab & Beam
(SCALE - 1 : 25)



SECTION - 'A - A'



DETAILS OF R. C. C COLUMN
(SCALE - 1 : 25)



(Signature)
Sub-Assistant Engineer
Uluberia Municipality

(Signature)
Assistant Engineer
Uluberia Municipality

**NAME OF WORK:- ESTIMATE FOR ELECTRICAL WORK OF COMMUNITY TOILET
at Dumping ground IN WARD NO. - 31 UNDER ULUBERIA MUNICIPALITY OF WEST
BENGAL
[ASPIRATIONAL PARAMETER]**

* As per PWD & I & WD schedule district charges will be applicable on PWD & I & WD schedule items

* No district charges will be applicable on non-schedule items

Sl No.	Iteam Description	Unit	Quantity	Rate	Amount
1	Distribution wiring in 2 x 22/0.3 (1.5 sqmm) single core stranded 'FR' PVC insulated & unsheathed copper wire(Brand approved by EIC) in 20mm size PVC rigid conduit 'FR' (Precision make), with 1x22/0.3 (1.5 sqmm) single core stranded 'FR' PVC insulated & unsheathed copper wire for ECC, to light/fan/call bell points with Piano Key type switchfixed on MS CRC sheet metal (16 SWG) switch board cum JB on wall complete with 2 no. suitable size "Ph & N" copper bar incl. bakelite/Perspex (wall matching color) top cover 3 mm thick and incl. 175mmx100mmx65mm inspection box, making earthing attachment, painting the MS box and mending good the damages to original finish. [PWD Schedule Page No-E-14 Iteam No-2a]	Point	12	624.24	7490.88
	Average run 5 mtr				

2	<p>Distribution wiring in 1.1 KV grade 22/0.3 (1.5 sqmm) single core stranded 'FR' PVC insulated & unsheathed copper wire (Brand approved by EIC) in 20mm size PVC rigid conduit 'FR' (Precision make), with 1.1 KV grade 1 x 22/0.3 (1.5 sqmm) single core stranded 'FR' PVC insulated & unsheathed copper wire as ECC, to 5A 3 pin flush type plug socket & Piano Key type switch fixed on MS CRC sheet metal (16 SWG) switch board cum JB on wall incl. bakelite/Perspex (wall matching color) top cover 3 mm thick and incl. painting the MS box and mending good the damages to original finish On Board (only for pay counter)</p> <p>[PWD Schedule Page No-E-15; I-4a]</p>	Point	1	68.34	68.34
3	<p>Supplying and fixing 240V 32A Double Pole AC Type 30mA RCCB.(Complete Set) (ISI marked) [Make- Legrand] (Cat No 4113/95) [Legrand Page No-92]</p>	Nos	1	5942.00	5942.00
4	<p>Distribution wiring in 1.1 KV single core stranded 'FR' PVC insulated & unsheathed copper wire (Brand approved by EIC) in 20mm size PVC rigid conduit 'FR' (Precision make) incl. necy. fittings as required 2 x 36/0.3 (2.5 sqmm) + 1 x 22/0.3 (1.5 sqmm) ECC [PWD Schedule Page No-E-14 Item No-1a(ii)]</p>	mtr	10	121.38	1213.80

5	<p>Supplying and fixing double-door SPN MCB Distribution Board with IP-42/43 protection, concealed in wall after cutting the wall & mending good the damages to original finish incl. Inter connection with suitable size of copper wire and neutral link & provision for earthing attachment.</p> <p>a) For (2+4 way) (Make -Havells) [PWD Schedule Page No-D-9;Iteam No-13]</p>	No	1	953.70	953.70
6	<p>Supplying and fixing 240/415 V MCB of Breaking capacity 10kA & C characteristics on din rail of existing DBs and necessary connection 6-32A SP MCB (Make -Havells) [PWD Schedule Page No-D-6;Iteam No-7]</p>	Nos	4	171.36	685.44
7	<p>Supplying and fixing 240/415 V MCB Isolator on din rail of existing DBs and necessary connection. 40A DP MCB Isolator (Make -Havells) [PWD Schedule Page No-D-5;Iteam No-6]</p>	Nos	1	212.16	212.16

8	Supply of TMC501 conventional industrial batten (Philips make) LED Tube.model no-TMC501 P1xT-LED 22W P3241 (WB I & WD schedule P-113, I- 5:3 F.22)	Nos	3	451.00	1353.00
9	Fixing only single/twin fluroscnet light fitting complete with all accessories directly on wall/ceiling by screws etc. [PWD Schedule Page No-C-2;Iteam No-14a]	Nos	3	87.72	263.16
10	Supply & fixing Bulk head light fittings with die cast aluminium housing frosted/clear glass on wall/ceiling incl S/F 9 watt LED Lamp complete set. [Make - Havells] (PWD sch - Page--D-13, I-23)	Nos	3	665.58	1996.74
11	Supply & fixing smart bright street light complete with all accessories to be fixed from the wall of building or on pole incl. making holes /providing clamping arrangement & necy. GI reducer as required.S&F 40 mm GI Pipe 1.5 mtr average length & s&f necy length of 1.5 sqmm pvc insulated single core copper wire & making connections as required & mending good damages incl wall paingting. (30 Watt) (Make - Bajaj) [WB I&WD sch P-111, I-f.9.0.2]	Nos	1	3016.00	3016.00

12	Supply of 9" domestic metal exhaust fan 9" (225mm)SWEEP. TRANS AIR (Make-Crompton/Havells/Bajaj) (UD & MA schedule P-14, I-5)	Nos	3	1863.00	5589.00
13	Fixing only exhaust fan after making hole in wall and making good damages and smooth cement finish etc. as practicable as possible and providing necy. length of PVC insulated wire and making connection for exhaust of following diameter: 22.5 cm (9") [PWD Schedule Page No-C-4;Iteam No-28(b)]	Nos	3	251.94	755.82
14	Fixing only louver shutter/cowl on wall with necy. bolts & nuts (6 mm dia x 62 mm long) For 22.5 cm(9") Exhaust fan [PWD Schedule Page No-C-4;Iteam No-30(b)]	Nos	3	83.64	250.92
15	Supply of 240V A.C Ceiling Fan (48" sweep, 1200 mm complete) [Make-Crompton [for counter only] (UD & MA schedule P- 23, I- 70)	Each	1	2283.00	2283.00
16	Fixing only Ceiling Fan [PWD sch P- C-3, I-21(a)]	Each	1	67.32	67.32

17	<p>Supply & Fixing 240 V, 16/20 A Piano key type switch (Brand approved by EIC) on sheet metal switch board incl. S & F 100x100x65mm MS (16SWG) switch board and bakelite/perspex top cover of 3mm thick by Brass screws after making housing for switch by cutting bakelite/perspex cover and making necessary connections as required. (For Hand Dryer machine) [PWD sch P- E-6, I-17(b)]</p>	Each	1	205.02	205.02
18	<p>S/F 240V 25A Modular type starter (brand approved by EIC)with 25 A. Modular switch DP MCB (C-Curve)and 4 Module G.I. Moduar type switch board with 4 Module Top Cover Plate flushed in wall incl. S/F switch board and Cover Plate and making necy. Connections with PVC Copper wire and earth connectivity wire etc. as per schedule [for Pump] [PWD Schedule Page No-E-19, Item No-17] (Please follow in details)</p>	Nos	1	799.68	799.68
19	<p>Supply and Fixing of 2 mm Polyvinyl glow sign board made of 22 SWG GI sheet box with 1"X1" aluminum channel for fixing the vinyl board after necessary cutting the letter as required & s/f LED tube light fittings along with all accessories. (16 sqft @495.00/sqft) (UD & MA schedule P-14, I-4)</p>	Nos	1	7920.00	7920.00

20	Earthing installation by GI earth Spike (1830 X 20 mm) including 8SWG GI EarthWire & GI nuts, bolts, washer etc.	Nos	1	450.00	450.00
				Total	41515.98
				Add 18% GST	7472.88
				Total With GST (A)	48988.86
				Cess@1%	489.89
				total	49478.74
	Contingency Amount on "A"			Contingency@3%	1469.67
	(Total+GST)=Rs:			Total	50948.41
				Say Rs.	50948.00
Rupees:- Fifty Thousand Nine Hundred & Forty Eight Only					

Say Rs. 50,948.00

K. K. Moudal
Sub-Assistant Engineer
Uluberia Municipality

A. Samanli
ASSISTANT ENGINEER
ULUBERIA MUNICIPALITY

Audus
Chairman
Uluberia Municipality

Technically Vetted Rs. 50,948/-
(Rupees Fifty thousand Nine hundred forty eight)

60
03.03.25
Junior Engineer
Electrical & Mechanical Division
SUDA

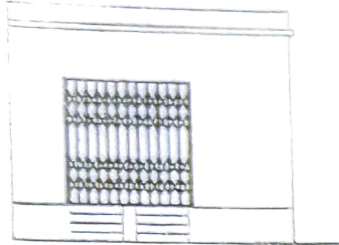
S. K. S.
4.3.25
ASSISTANT ENGINEER
ELECTRICAL & MECHANICAL DIVISION
SUDA

db
5/3/25
Executive Engineer (E/M)
O/O the Secretary M.E. Dte.
Government of West Bengal

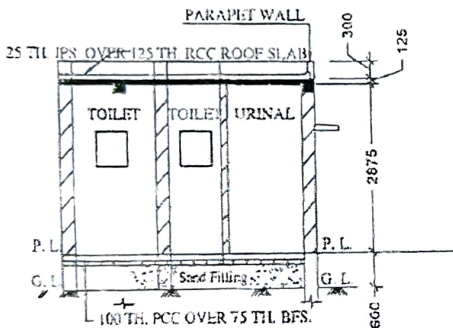
MODEL DRAWING FOR CONSTRUCTION OF C. T./P.T.
TOILET SEATS 2 NOS URINAL 3 NOS
MODEL NO. - F



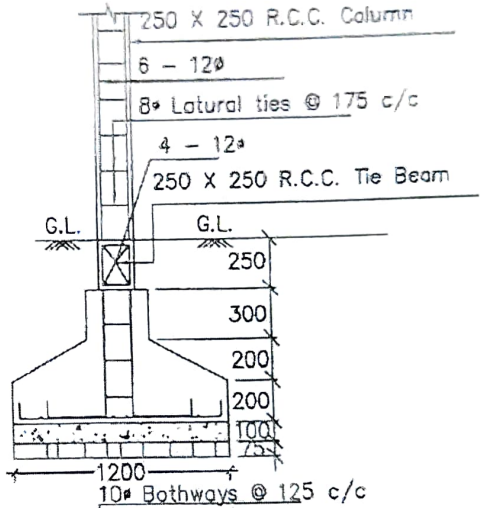
Details Of R.C.C Roof Slab & Beam
(SCALE - 1 : 25)



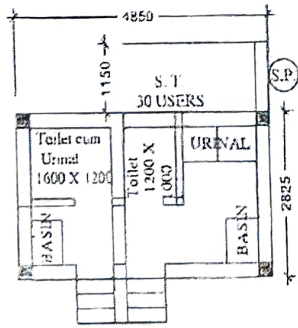
FRONT ELEVATION



SECTION - 'A - A'



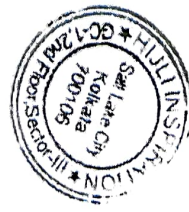
DETAILS OF R. C. C COLUMN
(SCALE - 1 : 25)



- ✓ BULK HEAD LIGHT → 03
- ✓ TUBE LIGHT → 03
- ✓ EXHAUST FAN → 03
- ✓ OUTDOOR LIGHT → 01
- ✓ CEILING FAN → 01
- ✓ GLOW SIGN BOARD → 01

Checked & Verified

Pradeep
Engineer (CMI)
MHI INSPIRATION



A. Samant
Sub-Assistant Engineer
Uluberia Municipality

A. Samant
ASSISTANT ENGINEER
ULUBERIA MUNICIPALITY
12 pts

of Work :- CONSTRUCTION OF COMMUNITY TOILET at Dumping ground IN WARD NO. - 31
UNDER ULUBERIA MUNICIPALITY NON SCHEDULE WORKS .

TOILET SEATS 2 NOS URINAL 3 NOS

	Item Description & Item No.	Quantity	Rate	Unit	Amount
1	Non Shedule Item Sl. No. 91-106 (Order as per SUDA) standard plastic dustbin (12lits)	5	350	Each	1750.00
2	Air freshner(pack of 4nos)	8	216	Each	1728.00
3	Air freshner (Naphthaline 250 gm)	5	210	Each	1050.00
4	supplying paper Napkin	5	50	Each	250.00
5	Supplying Sanitary Napkin (Whisper or similar make 50 pcs)	4	520	Each	2080.00
6	Harpic (blue 500 ml)	4	300	Each	1200.00
7	Harpic (Red 500 ml)	4	150	Each	600.00
8	Gala double lip floor wiper	4	350	Each	1400.00
9	colin glass or surface cleaner	2	200	Lit	400.00
10	Muriatic Acid	2	145	Lit	290.00
11	Bleaching powder	4	120	Kg	480.00
12	Dettol ,lifeboy or similar make liquid soap	8	140	Lit	1120.00
13	Rubber hand gloves	6	80	Pair	480.00
14	Double side plastic brush	6	125	Each	750.00
15	Plastic Broom	4	170	Each	680.00
16	supplying roaster /register for keeping accoount of regular cleanig	3	200	Each	600.00
17	Signage ACP Base & reflective vinyl (3	3776	Each	11328.00
18	Installation of Sinage	3	2071	Each	6213.00
19	SMS/any other ICT based feedback system (with number displayed on which SMS has to be sent) (A9)	1	5000	Each	5000.00
20	Glow sign board name and contact details of the following are displayed prominently - Toilet identification number , name of ULB under whose jurisdiction toilet is covered , ward number and maintenance authority priminently displayed for each toilet block Supervisor , Supervisor's agency and area sanitary inspector (D3)	1	5000	Each	5000.00
21	Mini Tulu pump	1	4000	Each	4000.00

	lettering on toilet wall for display of name and contact details of ULB , ward number and name of maintenance authority , sanitary inspector , etc (D3)	1	1000	Each	1000.00
23	Supplying and fixing sinage with fixing stand post for public toilet for visible to passersby	15	1000	Each	15000.00
				Rs.	62399.00
	Add for Labour welfare Cess @ 1 %			Rs.	623.99
			Total	Rs.	63022.99
	Add for Contingency @ 3 %			Rs.	1871.97
			TOTAL	Rs.	64894.96
			Say	Rs.	64895.00

[Signature]
 Sub Assistant Engineer
 Uluberia Municipality

[Signature]
 Assistant Engineer
 Uluberia Municipality

[Signature]
 Chairman
 Uluberia Municipality

VETTED

[Signature] 25/06/25
 Senior Engineer (Civil)
 Hooghly Division
 M.E. Directorate, Deptt. of U.D. & M.A.
 Govt. of West Bengal

[Signature] 25/6/25
 Assistant Engineer
 Hooghly Division, M.E. Dte.
 Deptt. of U.D. & M.A.
 Govt. of West Bengal